

Imperial wall formwork

Sizes:

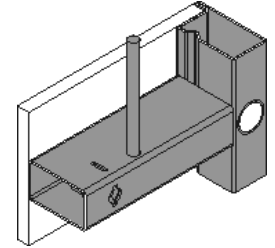
- heights 12', 8, 4' and 2'
- widths 8', 4', 3'-6", 3', 2'-6", 2', 1'-6" and 1'

Pressure: 2025 psf

Assembly lock as fast connection

Plastic composite panel

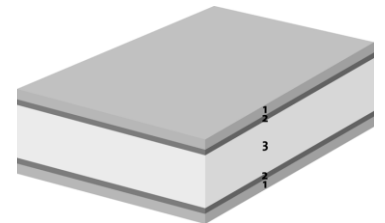
hollow profile frame



assembly lock



plastic composite panel



Facing - Plastic Composite Panel

Feature: All Imperial panels are equipped with *alkus* plastic composite facing.

- Benefits:**
- No swelling, no shrinking
 - No absorption of water
 - Outstanding concrete finish even after hundreds of reuses
 - Easy cleaning
 - Less repairs
 - Life span as long as the frame itself (compared to plywood, it is not necessary to change sheathing after a certain amount of reuses)
 - Recyclable

→ *Considerable cost saving*

Assembly Lock

Feature: With only a few hammer blows a safe, tight connection and a perfect alignment are achieved.

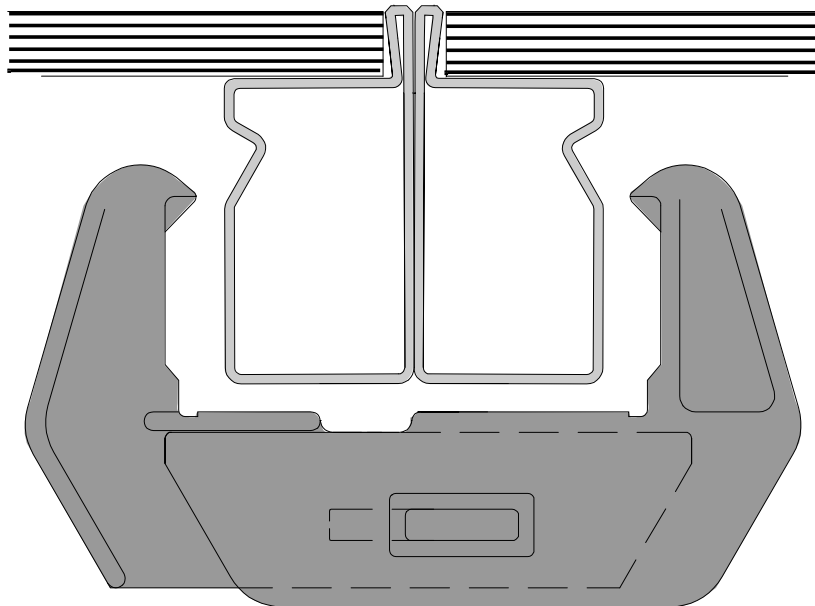
Benefits:

- fast and efficient connection of panels
- no additional hardware necessary
- only 3 locks on a 12' panel

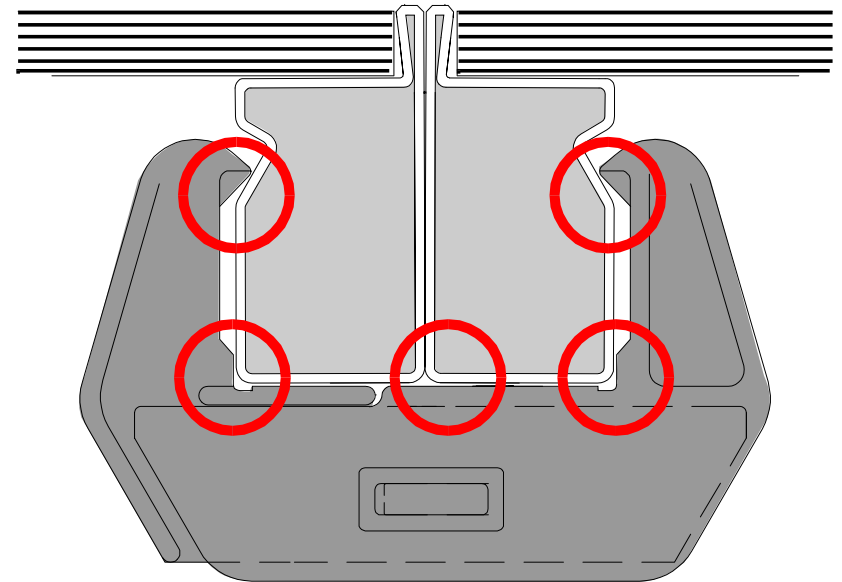
→ Considerable cost saving

Assembly lock

A safe and strong connection and perfect alignment is achieved with a single hammer-blow



 = 5-point contact



Concrete Pressure

Feature: 2025 psf pour pressure rating for walls
2600 psf for columns (see chart in TIM)

Benefits:

- The Meva Imperial lets you pour faster than other available systems
- Less deflection than other lower rated systems
- Safe wall formwork system even when using self compacting concrete

→ *Considerable cost saving*

Tie-off bars

Feature: Imperial panels come with welded tie-off bars.

Benefits: Safe and easy access to the formwork

Bump notch

Feature: Larger Imperial panels come with an integrated bump notch.

Benefit: The bump notch allows for easy movement of the panels on slab or ground elevations.



Typical Gangs

