



**R·M·D**  
**KWIKFORM**

**Designed for Speed**  
**Developed for Safety**

**ALSHOR PLUS**

# World class support

R·M·D  
KWIKFORM

ALSHOR PLUS

## Running Order

- x Introduction
- x Product Features
- x Productivity Case Study
- x Product Support
- x Applications
- x Engineering
- x Best Practice on Site

# World class support

R·M·D  
KWIKFORM

## Introduction

**Competitive edge in the Concrete Frame Sector is delivered through a number of key features:**

- x Safety in Execution
- x High Productivity
- x Buildability
- x Speed of Construction
- x Quality of Finished Work
- x Competitiveness

ALSHOR PLUS

# World class support

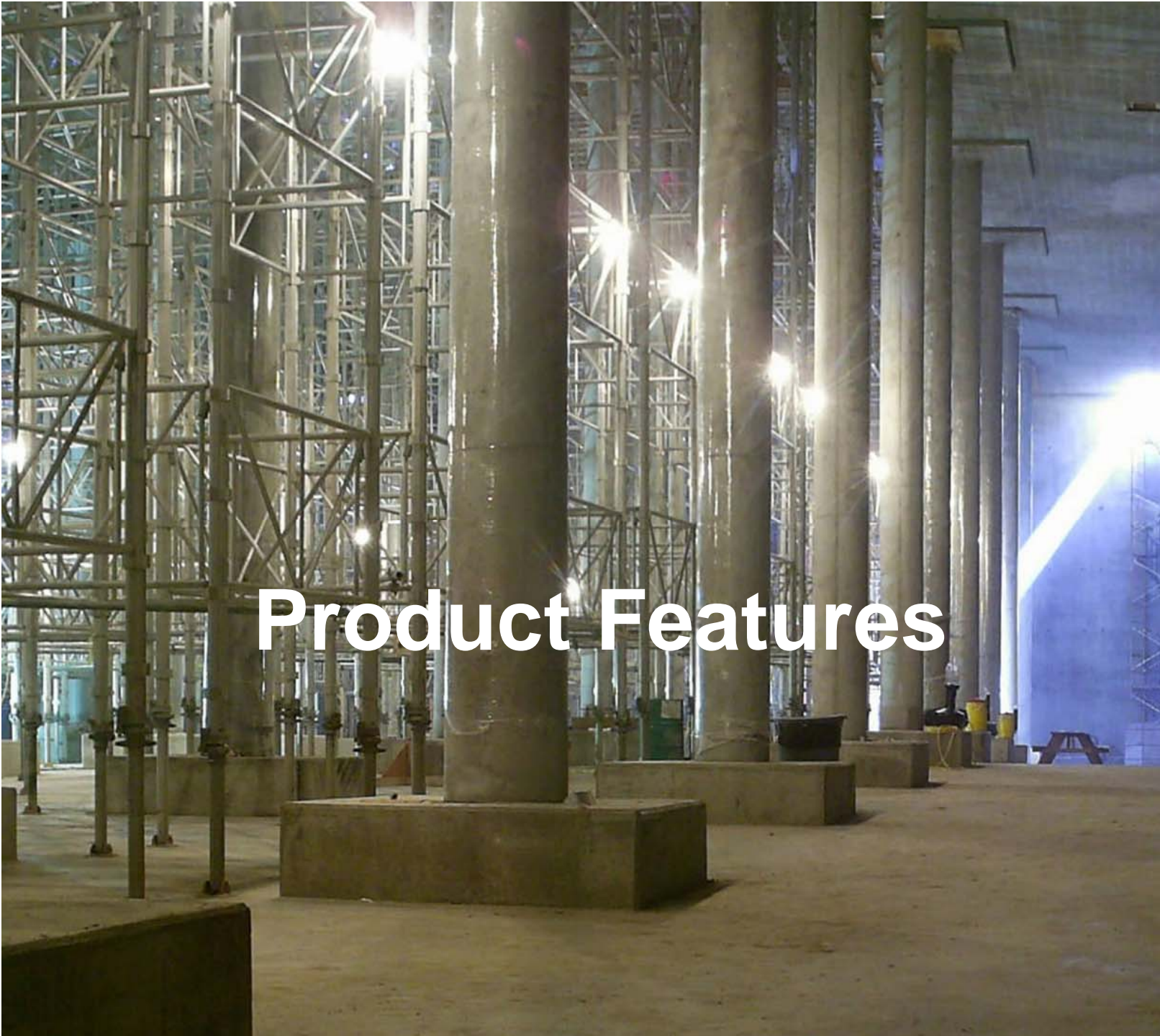
## Introduction to Alshor Plus

**Alshor Plus is an evolutionary progression of a proven system**

- x Maximum leg loading 21.6 Kips/leg (variable)
- x Meets the needs of:
  - I Specialist Concrete Frame Contractors
  - I Safety Agencies
  - I Investors in the system
  - I Rental Companies

**R·M·D  
KWIKFORM**

**ALSHOR PLUS**



**R·M·D**  
**KWIKFORM**

# Product Features

**ALSHOR PLUS**

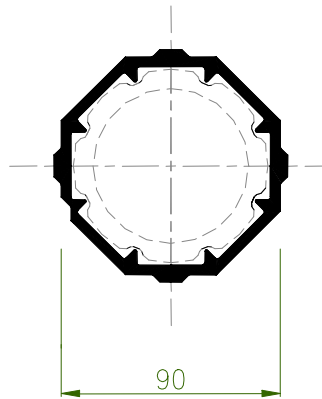
# World class support

R·M·D  
KWIKFORM

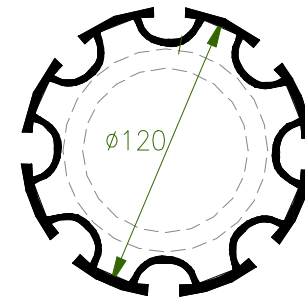
ALSHOR PLUS

## Leg Extrusion

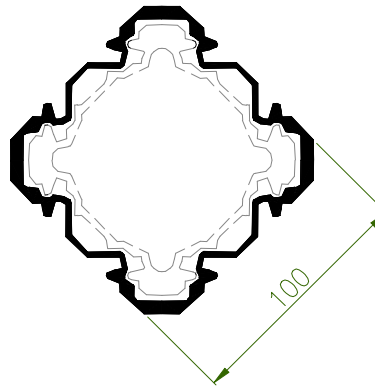
- ✘ Slightly smaller and slightly thicker
- Fits the hand reducing operator fatigue
- More robust, less prone to damage



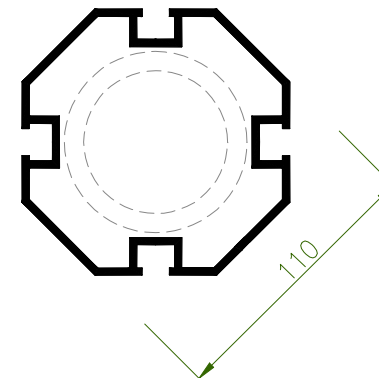
ALSHOR PLUS



PATENT GASS



PERI MULTI-PROP



ISCHEBECK TITAN

# World class support

R·M·D  
KWIKFORM

ALSHOR PLUS

## Fixed Pockets

- ✘ Give a positive frame location during assembly



- no need to use a rule to set out frame positions
- simply count the pockets and connect the frame

# World class support

R·M·D  
KWIKFORM

## Fixed Pockets

✘ Make checking simple



- No need to climb and measure frame positions
- Just count the pockets from the ground

ALSHOR PLUS

# World class support

- x **De-skills the assembly process and eliminates errors from the outset**
- x **Promote a sound structure by ensuring towers turn out straight and true every time**
- x **Makes practical assembly of towers horizontally followed by crane erection**

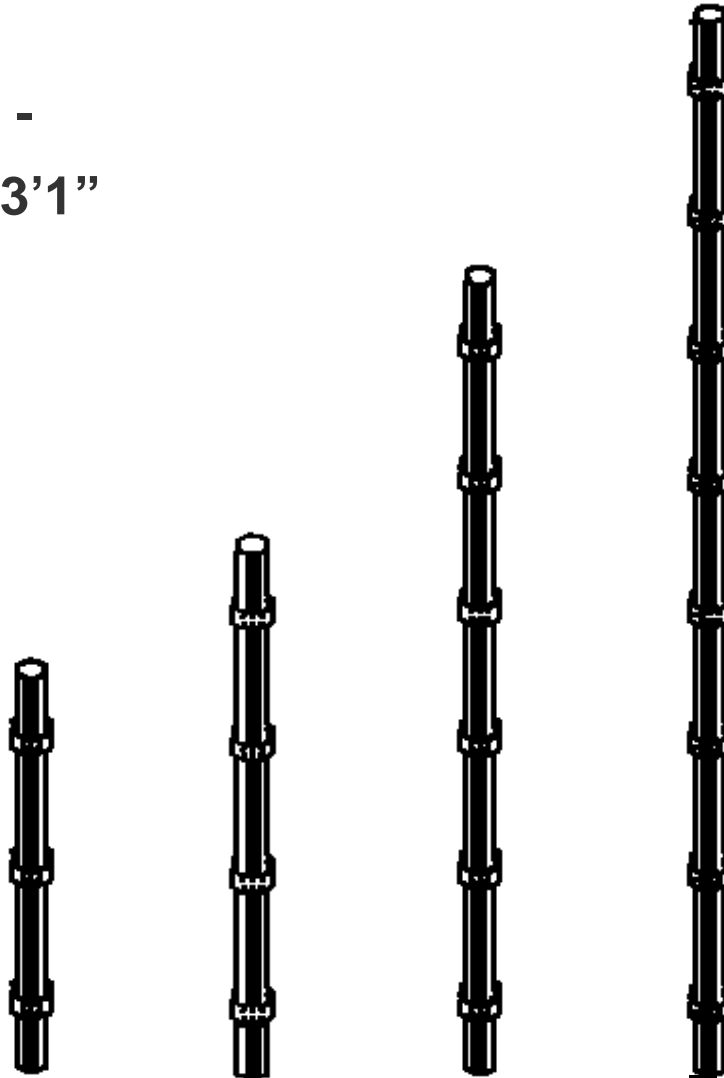


**R·M·D**  
**KWIKFORM**

**ALSHOR PLUS**

# World class support

- ✘ Full Range of leg sizes - 4'11", 6'7", 9'10" and 13'1"
- Gives full flexibility in height makeup in 20" increments



R·M·D  
KWIKFORM

ALSHOR PLUS

# World class support

R·M·D  
KWIKFORM

ALSHOR PLUS

## Fast Frame Connections

- ✘ With simple blade to pocket fixing – giving quick and easy frame location
- ✘ Serrated spring latches enable frames to be fixed and retained in a single action – further speeding assembly time
- ✘ Competing systems have 4 or 6 fixings per frame



# World class support

- ✘ **Extended and stepped lower blades – enable the bottom of the frame to be located first followed by the top thus easing assembly**
- ✘ **Frame is removable – allows movement of trades and materials**

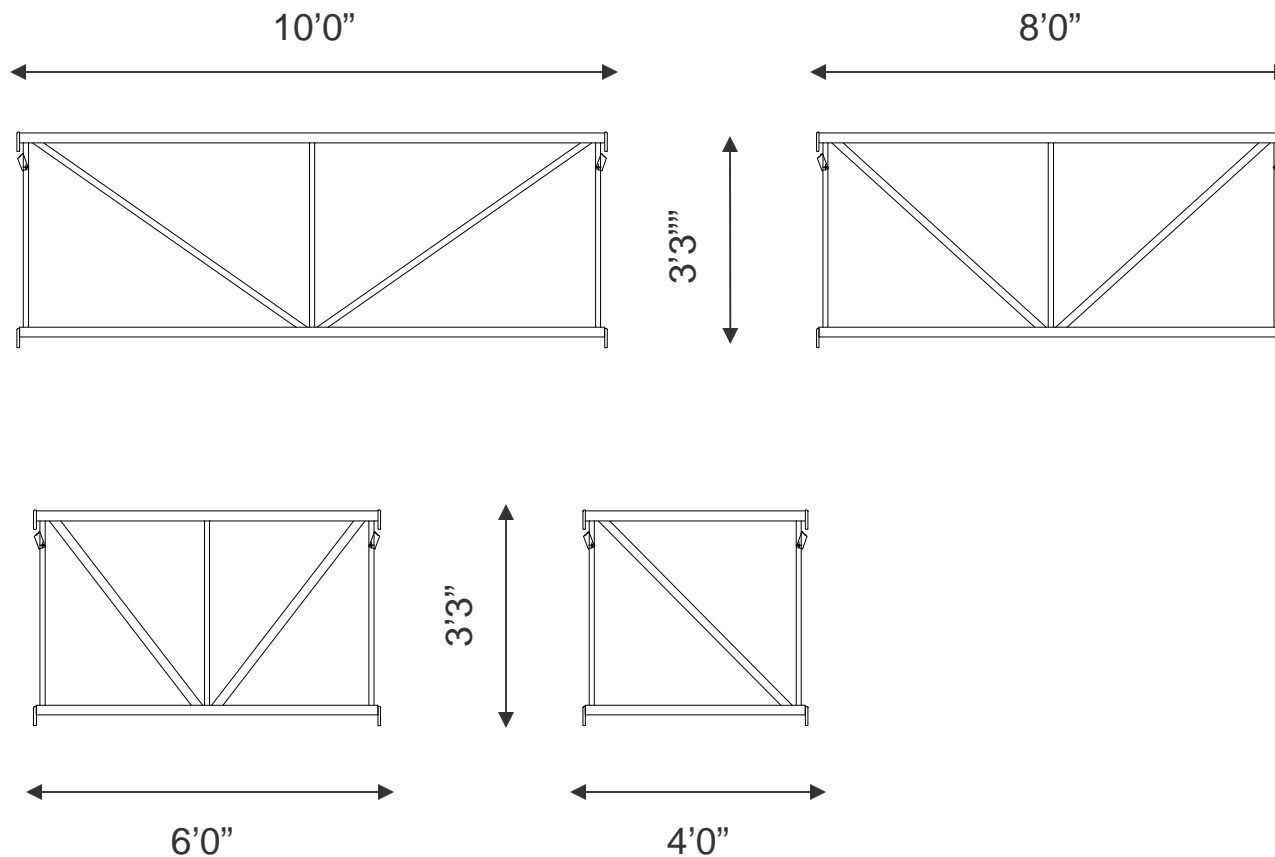


**R·M·D**  
**KWIKFORM**

**ALSHOR PLUS**

# World class support

- ✘ 4' 6' 8' 10' frame widths give layout flexibility
- making schemes very efficient



R·M·D  
KWIKFORM

ALSHOR PLUS

# World class support

## Innovative Base Jack

- ✘ With over 4 feet of available extension – provides flexibility when using equipment on different floor heights
- ✘ Four way thread – gives fast adjustment, 1” for every turn of the collar
- ✘ Grooved profile – self cleans and prevents jack rotation



R·M·D  
KWIKFORM

ALSHOR PLUS

# World class support

- ✘ **Ball and cup base reduces eccentricity and enhances allowable working load**
- ✘ **10 degree base rotation in one axis and 2 degrees in the other enables sloping bases to be accommodated**
- ✘ **Integral steel rule – speeds pre-setting**



**R·M·D  
KWIKFORM**

**ALSHOR PLUS**

# World class support

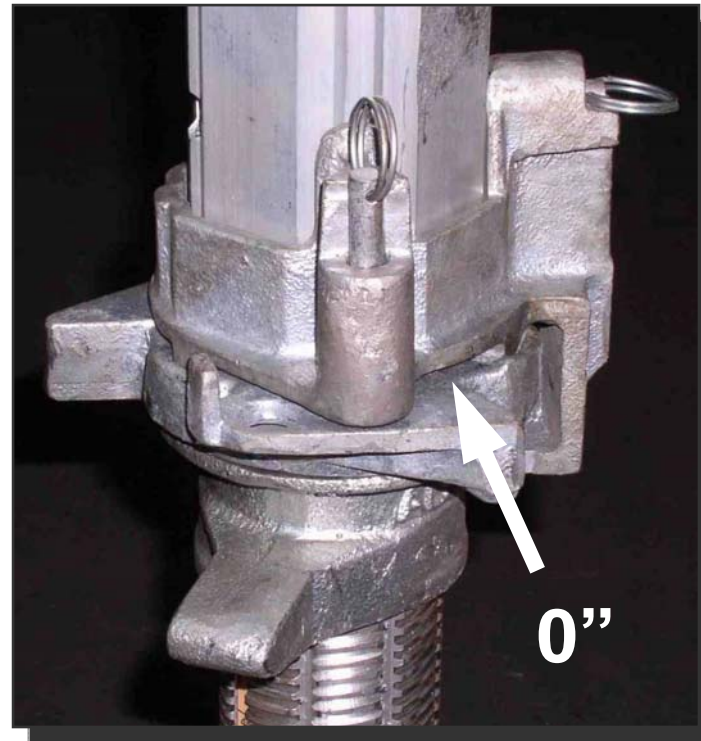
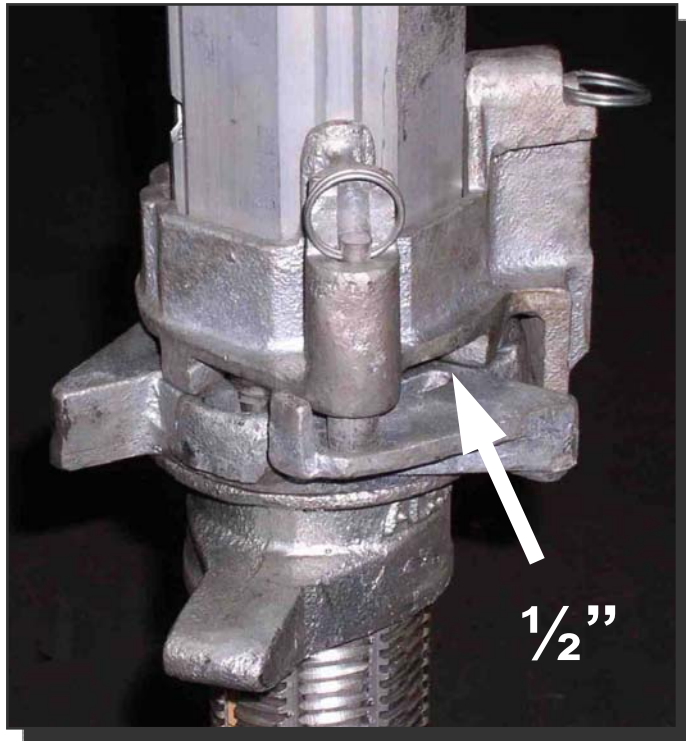


R·M·D  
KWIKFORM

ALSHOR PLUS

GLOBAL STANDARDS REGIONAL SERVICE LOCAL PRESENCE

# World class support

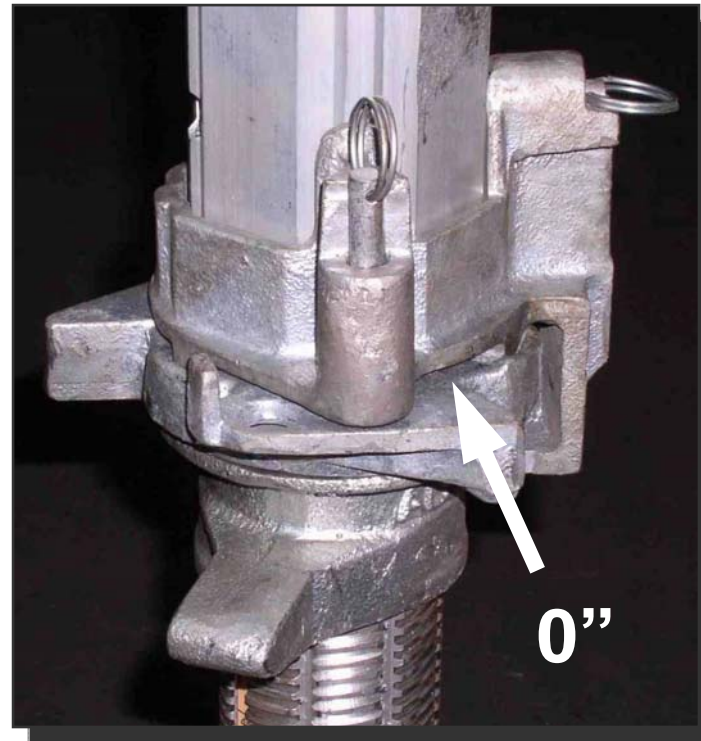
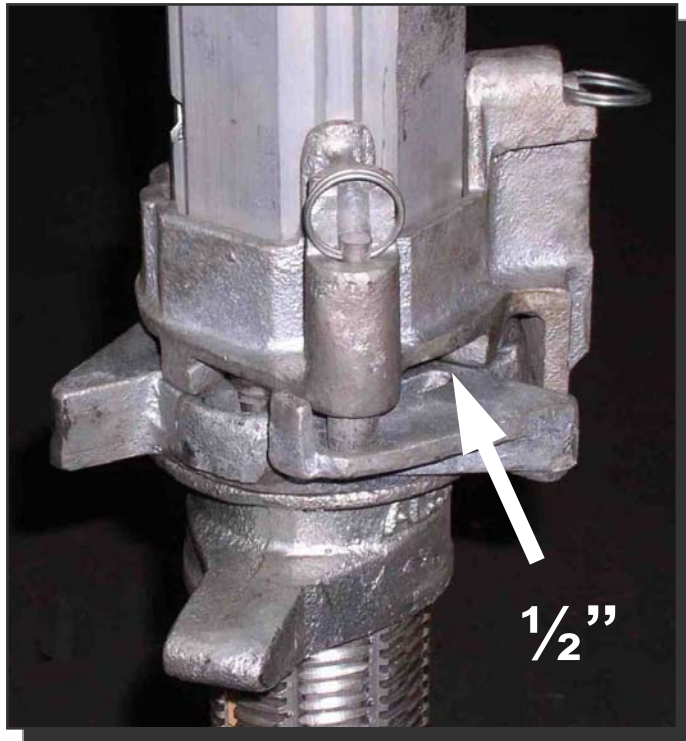


- ✘ Unique load release enables the load to be removed from the shoring with a single hammer blow
- No need to beat with a 7lb sledge hammer!

R·M·D  
KWIKFORM

ALSHOR PLUS

# World class support



- speeds removal of shoring
- reduces operator fatigue
- reduces damage to components

R·M·D  
KWIKFORM

ALSHOR PLUS

# World class support

## Safe Access Equipment

- ✘ Lumber boards with Intermediate board bearers or
- ✘ System aluminum platforms



R·M·D  
KWIKFORM

ALSHOR PLUS

# World class support

- ✘ **System Access Ledgers – enable boarded access to span between shoring towers**



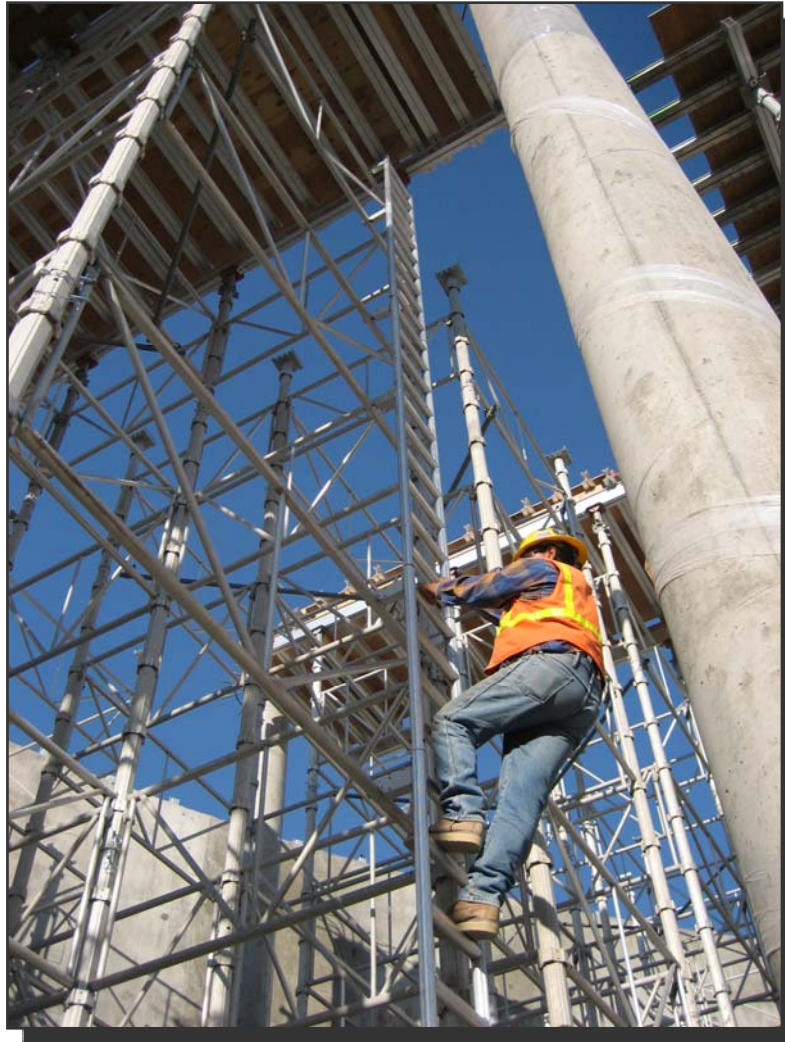
**R·M·D**  
**KWIKFORM**

**ALSHOR PLUS**

GLOBAL STANDARDS REGIONAL SERVICE LOCAL PRESENCE

# World class support

- ✘ **System ladder access**  
– clips to brace frames



**R·M·D**  
**KWIKFORM**

**ALSHOR PLUS**

GLOBAL STANDARDS REGIONAL SERVICE LOCAL PRESENCE

# World class support

- ✘ **Highly visible guardrail system – enables safe platforms to be created and the edge protection to be readily checked from the ground**



**R·M·D  
KWIKFORM**

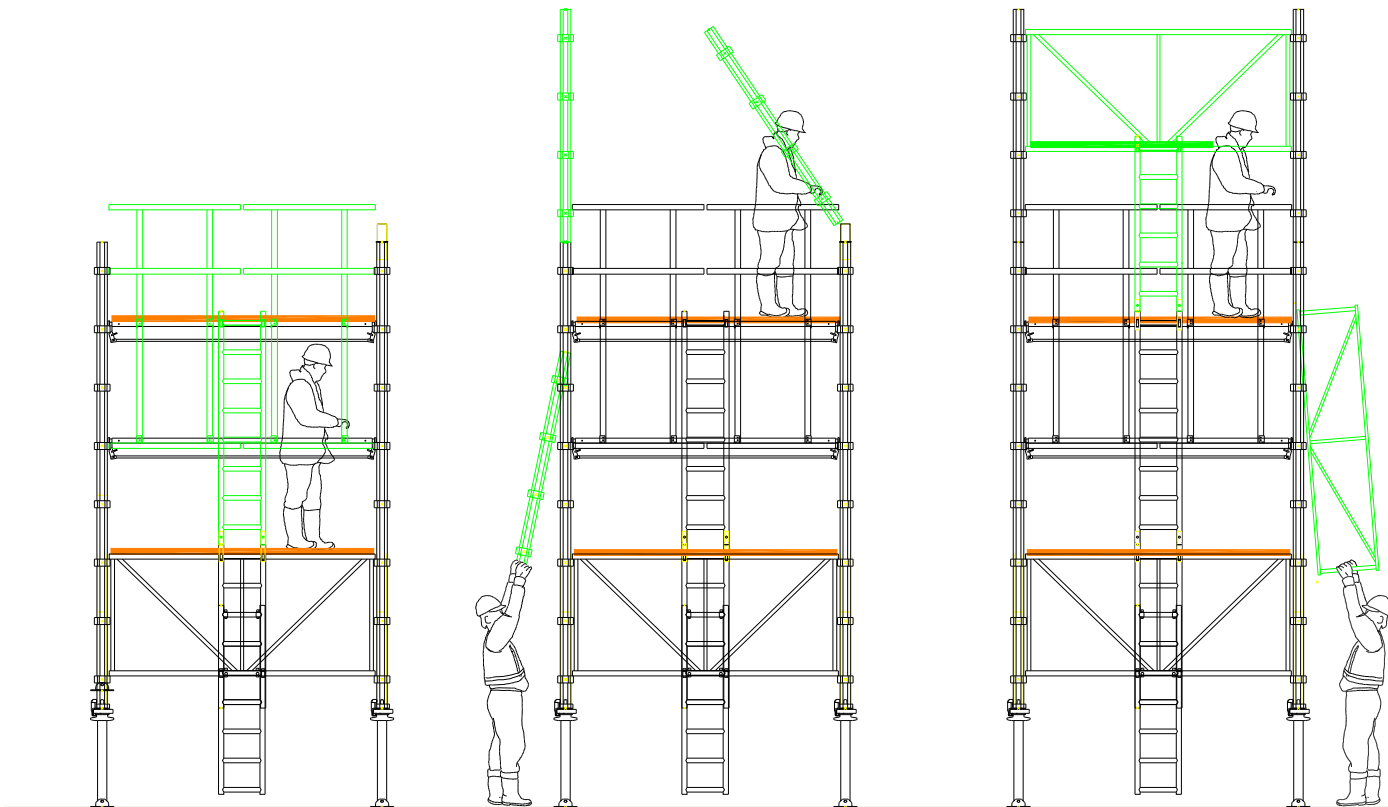
**ALSHOR PLUS**

# World class support

✘ **Advanced Guardrail frames – promotes safe erection**

R·M·D  
KWIKFORM

ALSHOR PLUS



GLOBAL STANDARDS REGIONAL SERVICE LOCAL PRESENCE

# World class support

R·M·D  
KWIKFORM

ALSHOR PLUS

## Versatile Accessories

- ✘ Snap on Heads and Bases – speed assembly
- ✘ Wide U- Heads – enable double or lapped stringers



# World class support

- ✘ **Head Jack – gives up to 29” of extension if required**

**(Note does not have load release or dome end details)**



**R·M·D  
KWIKFORM**

**ALSHOR PLUS**

# World class support

- x **Drop beam bracket – enables support of drop beam soffit**
- x **Can be used for access by harnessed operatives**



**R·M·D**  
**KWIKFORM**

**ALSHOR PLUS**

# World class support

- ✘ **Simple Joint Pins with captive R-clips connect legs together for crane handled applications**



**R·M·D**  
**KWIKFORM**

**ALSHOR PLUS**

# World class support

R·M·D  
KWIKFORM

## Movement Options

- ✘ **Clip-on Castor Unit**
  - enables up to 1760lb of falsework per castor to be moved smoothly
- ✘ **Tables up to 8 tons have been moved this way**
- ✘ **Fully steerable unit rotates 360 degrees or locks into leg pockets**
- ✘ **Pneumatic tyres available for unmade ground**



ALSHOR PLUS

# World class support

- ✘ Various Trolley details – enable fast raising, lowering and transport of tables



R·M·D  
KWIKFORM

ALSHOR PLUS

# World class support

- ✘ Lattice C-hook – enables crane lifting of tables between levels



R·M·D  
KWIKFORM

ALSHOR PLUS

GLOBAL STANDARDS REGIONAL SERVICE LOCAL PRESENCE